

Bond | Protect | Beautify

With our manual guns, automatic and robotic applicators, supplied by our wide range of pumps & machines for fluid handling, dosing, mixing & dispensing.

SAMES KREMLIN provides industrial solutions for production increase, quality improvement, material & cost savings.

We are designers and manufacturers of process equipment divided in 6 ranges:

Airspray: manufacturer since 1925, bringing you the very best of the Finishing.

Airmix®: creator since 1975, bringing the perfect mix between quality and productivity.

Airless: premium for Finishers in heavy applications

High Viscosity: pumping beyond possible, dispensing precisely.

Electrostatic liquid: expertise for high finishing quality & efficiency.

Powder: coating solutions for highest Productivity since 1960

FIND YOUR
LOCAL CONTACT
BY FLASHCODE:



www.sames-kremlin.com



Apply your Skills

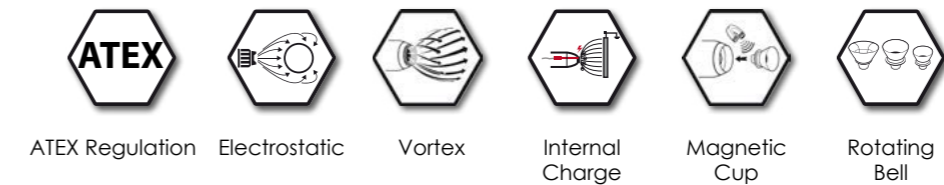


ELECTRO PPH 308



- High transfer efficiency (up to **80%***)
- Superb gloss and regularity of film build
- Easy and fast maintenance

Related Technologies



Apply your Skills

www.sames-kremlin.com

ELECTRO PPH 308

ROTARY BELL

ATOMIZER

ELECTROSTATIQUE

THREE VERSIONS DEPENDING ON YOUR NEEDS:

VERSION	Compatible with	Product Resistivity
▶ ELECTRO PPH 308 High voltane unit (UHT 155) integrated into the sprayer	solvent based product	≥ 6 MΩ.cm
▶ ELECTRO PPH 308 Remote high voltage unit (UHT 188) from sprayer	solvent based product	> 0,5 MΩ.cm
▶ ELECTRO PPH 308 Remote high voltage unit (UHT 288) from sprayer	water-based paint *nonflammable or hardly flammable	≈ KΩ.cm

* the product distribution system must be isolated from the ground potential.

TECHNICAL DATA

Weight

Without hoses and cables (kg)	2,5
-------------------------------	-----

Pneumatic power

Operating air pressure maxi.(bar)	6 (90 psi)
Normal pilot air (bar)	8,5 to 10 (127,5 to 150 psi)
Magnetic bearing air pressure (bar)	6 (90 psi)
Amount of air bearing backup (bar)	25 litres - 6 bars (90 psi)
Total air consumption (Nm ³ /h)	20 to 45
Rotation speed (rpm (loaded))	5 000 to 45 000 (during application)

Fluid supply

Fluid pressure maxi. (bar)	10 (150 psi)
Paint flow (cc/min)	30 to 600
Viscosity range (seconds) FORD cup n°4	15 to 45
Product supply hose (mm)	ø4x6
Supply hose control fluid (mm)	ø2,7/4
Power drain hose (mm)	ø4x6
Power drain hose control (mm)	ø2,7/4
Power steering flush injector (mm)	ø2,7/4
Power steering flush bell (mm)	ø2,7/4

ATEX marking :

ELECTRO PPH 308
solvent-based product
with R ≥ 6 MΩ.cm:

UHT 155 EEx em:

CE 0080 II 2 G
EEx > 350mJ
ISSEP05ATEX032X

II 2 G
EEx em II
ISSEP01ATEX012U

ELECTRO PPH 308
solvent-based product
with R > 0,5 MΩ.cm &
water-based paint:

CE 0080 II 2 G
EEx > 350mJ
ISSEP06ATEX032X

UHT 188 EEx e &
UHT 288 EEx e:

II 2 GD
EEx e II
ISSEP01ATEX002U

GNM200^{nl}:

CE II (2) G
[EEx > 350 mJ]
ISSEP05ATEX032X
ISSEP06ATEX032X

(1) : This control module allows piloting the UHT. It is a combined material that is part of the configuration of the certified equipment and that contributes to its good working. It has to be installed into a non explosive area.

MATERIALS HANDLED

Stains, varnishes and lacquers, polyurethane and epoxy materials, 2K materials, U.V. paints, solvent based and waterborne materials.

RECOMMENDED MARKETS

AEROSPACE

METALLIC FURNITURE

CYLCLES & MOTORCYCLES

WOOD INDUSTRY

ALUMINIUM PROFILES

AGRICULTURAL & CONSTRUCTION EQUIPEMENT

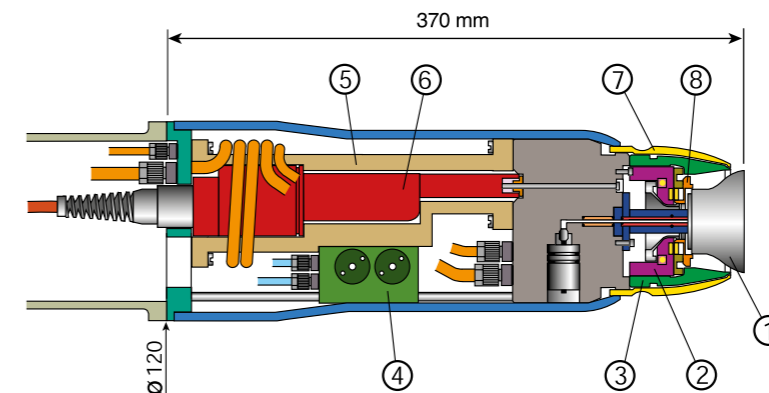
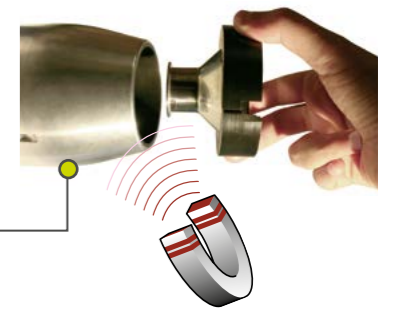
CUSTOMER BENEFITS

HIGH TRANSFER EFFICIENCY

- 85 kV, 100 µA integrated High Voltage cascade(6)
- Vortex air shroud technology for higher performance

EASY MAINTENANCE

- Optimised design for assebly / disassembly
- Magnetic clipping of bellcup (8)



- (1) Magnetic bellcup (ø 35, 50 or 65 mm)
- (2) Magnetic air bearing turbine
- (3) Internal shaping air shroud
- (4) Rinsing block (air/solvent) to wash the exterior of the cup

- (5) Manifold
- (6) HV cascade
- (7) External shaping air shroud
- (8) System of magnetic clipping the bellcup to the turbine


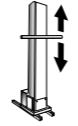
INCREASED PRODUCTIVITY

- Flow rate up 600cc/min
- Technology inspired from automotive industry
- Contact free magnetic air bearing turbine for less wear (2)

EXCELLENT FINISHING

- High speed turbine up to 45000 rpm (2)
- Large selection of shaping air shrouds and bell cups to spray all materials (1) (7)
- Good penetration effect even with difficult parts

EXAMPLES OF INSTALLATIONS

Type	Characteristics	Markets
 Fixed base	<ul style="list-style-type: none"> • Small-sized parts or vertical line • Line speed from 1 to 6m/mn 	<ul style="list-style-type: none"> • Wood: Bed frames • Metal: rims, wheels, heating resistance • Glass: perfume bottles, spirits • Plastic: lipsticks
 Reciprocator 1 axis	<ul style="list-style-type: none"> • Line speed from 1 to 6 m/mn • Object on satellite with simple geometry 	<ul style="list-style-type: none"> • Wood: picture frames, rod curtain • Metal: shock absorbers, metallic bottles, aluminium profiles

LARGE SELECTION OF BELLS



RECOMMENDED USES
From 12 to 45 sec. Ford cup # 4

	ø 35 mm	ø 50 mm	ø 65 mm
Paint flow (mini-maxi) (cc/min)	20 - 450	30 - 500	35 - 600
Spray pattern (mm)	75 - 350	100 - 450	150 - 550
Solvent borne Primer		✓	✓
Water borne Primer		✓	✓
Solvent borne base coat	✓	✓	✓
Water borne base coat	✓	✓	✓
Metallic base coat	✓	✓	✓
Varnish	✓	✓	✓
Bi-components		✓	✓
High solids		✓	✓

SAMES KREMLIN

www.sames-kremlin.com